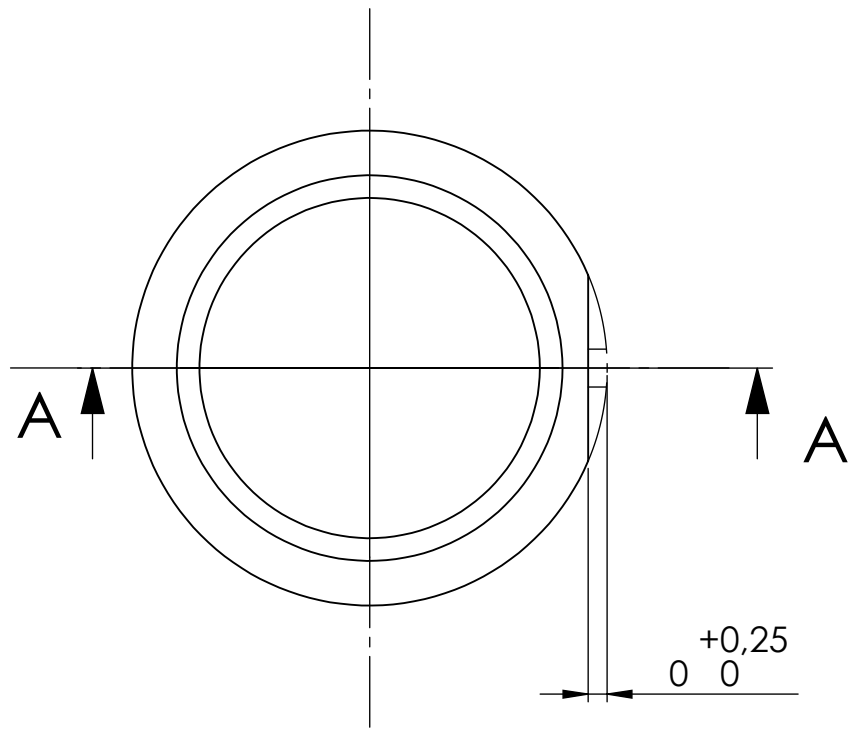
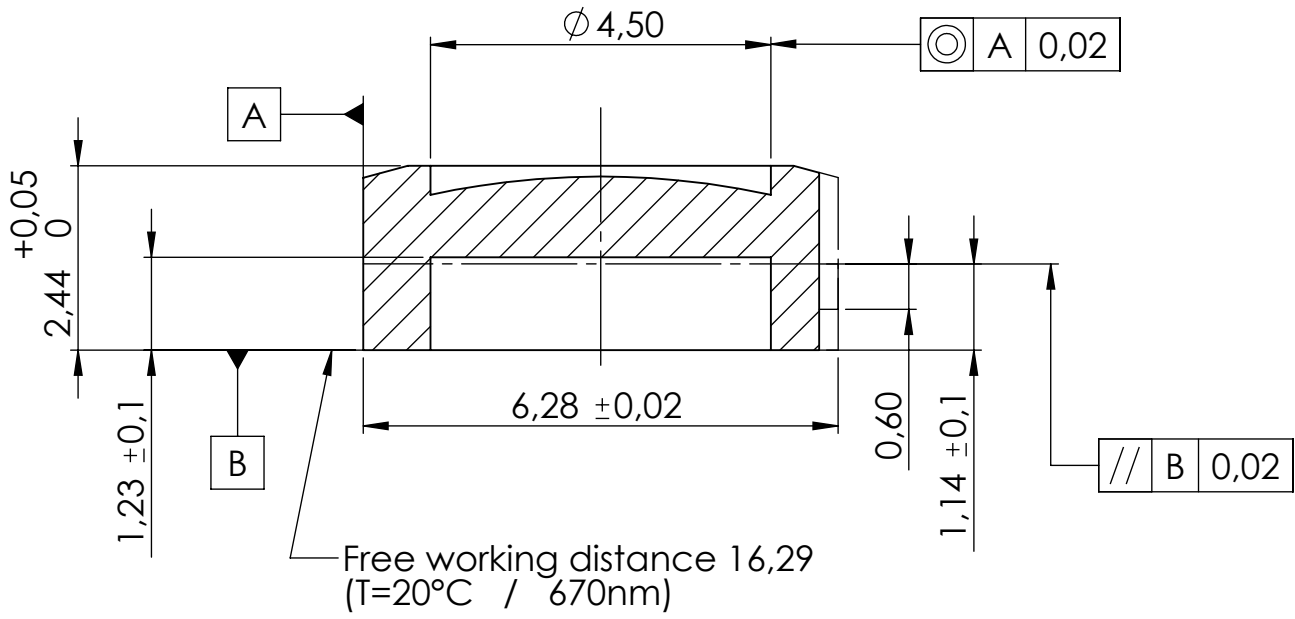


SECTION A-A



Rev.	Description	Date	By
B	Editorial change	30.03.23	Kriesch
A	one to one copy of former paperdrawing	14.10.16	CKr

	Unless otherwise specified: - dimensions are in millimeters - all Dimensions ±0,1mm	© Viaoptic GmbH. All rights reserved. Reproduction prohibited without permission from the copyright owner.	VIAOPTIC GMBH Am Leitz Park 1 // 35578 Wetzlar 06441/9011-0
--	--	--	--

		Titel		Scale	
		Lens CAX183		10:1	
Date	Name	Material	Weight	Part Number	Size
Drawn	14.10.2016 Krznicar	PC	1g	099-099-001-002	A4
Approval	20.10.2016 Söhngen				Sheet 01