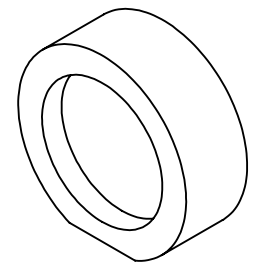
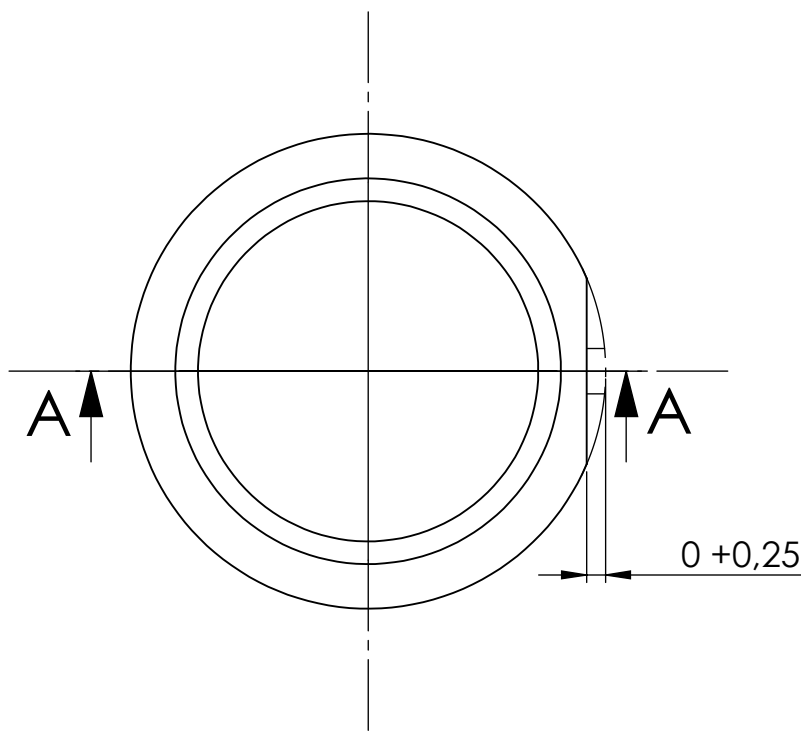
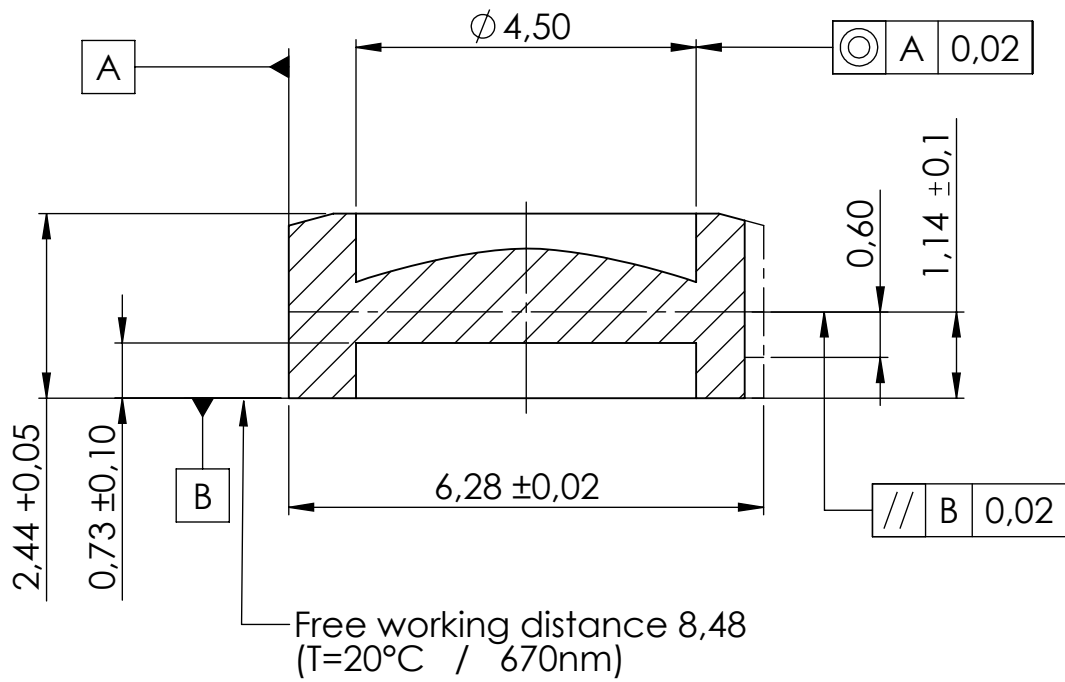


SECTION A-A



B		Editorial change		30.03.2023	Kriesch	
A		one to one copy to former paperdrawing		24.08.2016	CKr	
Rev.	Description			Date	By	
		Unless otherwise specified: - dimensions are in millimeters - all Dimensions $\pm 0,1$ mm		© Viaoptic GmbH. All rights reserved. Reproduction prohibited without permission from the copyright owner.		
		Titel Lens CAX100			VIAOPTIC GMBH Am Leitz Park 1 // 35578 Wetzlar 06441/9011-0	
Date		Name		Material		
24.08.2016		Krznaric		PC		
Approval		31.08.2016		Söhngen		
Weight		Part Number		Scale		
1g		099-099-001-003		10:1		
Sheet		01		Size		
01		A4				